

GAS & SPECIALTY SENSORS

RAIN/SNOW SENSOR CONTROLLER

DS-2C



NEW!



DS-2C

DESCRIPTION

The **Model DS-2C Rain/Snow Sensor Controller** provides reliable rain and snow detection and control for commercial or residential applications. It detects rain to control motorized windows, roof vents, window wipers, etc., and detects snow to control snow melt and deicing systems for wheelchair ramps, stairways, driveways, loading docks, roofs, and more. The **Model DS-2C** is a low cost, easy-to-install, energy-saving alternative to thermostats, manual switches, or timer controls. It can be used stand-alone or in combination with building automation systems.

FEATURES

- **Low cost**
- **Full 30A @ 277 VAC N.O. load contact rating**
- **Replaceable precipitation sensor element**
- **Override switch for manual-on, auto, standby/reset**
- **Remote operation up to 1000' (305m)**
- **Adjustable temperature trigger point**
- **Adjustable delay-off time**
- **Activate or disable low temperature cutout**
- **Smart manual-on operates for one delay-off cycle**

SPECIFICATIONS

Supply Voltage	100-277 VAC @ 15 VA, field selectable	Wiring Terminations	
Life Expectancy	Minimum 100,000 cycles (relay)	Power	14 AWG 18" (45.72 cm) leads
Relay Output Form	Load 30A @ 277 VAC	Load	10 AWG 18" (45.72 cm) leads
Alarm Relay	Sensor 2 minutes	Remote Control	Terminal block
Time Delay	30-90 minutes/2-6 hours	Operating Temperature	-40° to 185°F (-40° to 85°C)
Additional Specifications	Trigger temperature: 34°-44°F (1.1°- 6.6°C), adjustable selectable	Enclosure Rating	NEMA 3R, Two-gang PVC
Mounting	1/2" or 3/4" rigid conduit or 4 mounting tabs	Dimensions	7.0"H x 4.75"W x 2.75"D (17.78 x 12.07 x 6.99 cm)
LED		Weight	2.3 lb (1.04 Kg)
On	Powered & not triggered	Approvals	ETL, CE
Flashing	Powered & triggered (will flash in Delay-off cycle)	Warranty	2 years

7

GAS & SPECIALTY SENSORS

NEW!



GAS & SPECIALTY SENSORS

RAIN/SNOW SENSOR CONTROLLER

DS-2C

OPERATION

The DS-2C senses precipitation and outdoor air temperature. It also provides on/off control for direct operation of rain or snow control loads and on/off status indication to a building automation system or other light load. It installs out in the open. Rain and snow will fall directly on the top of the enclosure where the sensing element is located. When precipitation, in the form of rain or snow, is present, the load and monitor relay contacts close based on the adjustable settings for the trigger (setpoint). When precipitation stops, the contacts remain closed until the adjustable delay-off timer expires.

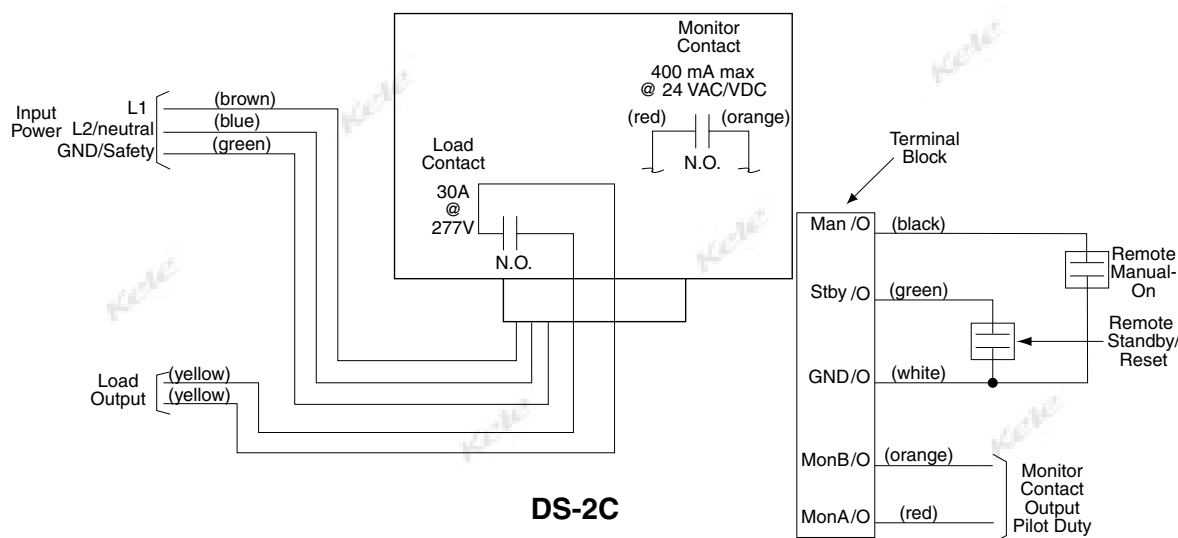
Factory settings are 39°F (3.9°C) trigger point, and the delay-off timer is enabled and set for one hour. Also, the low temperature cutout is disabled, so the trigger will switch even below 5°F (-15°C).

A three-position toggle switch on the housing allows for manual override. The manual-on position turns on the control (closes the relay outputs). The automatic position allows automatic control based on the adjustable settings. If switched to manual-on then back to automatic within two seconds, the control will execute one delay-off cycle. The toggle switch also has a standby reset position, which turns disables automatic detection and activation and resets the delay-off timer. These manual override functions may also be accomplished remotely by wiring dry contacts to the remote control/monitoring terminals. (See Wiring below)

7

GAS & SPECIALTY SENSORS

WIRING



ORDERING INFORMATION

MODEL
DS-2C

DESCRIPTION

Rain/Snow sensor controller with remote control/monitor cable

MG-1

RELATED PRODUCTS

Precipitation grid replacement kit

NEW!