

ENCLOSURES

CONTROL CABINET VERSA-CAB



5

ENCLOSURES

DESCRIPTION

The Poteau Panel Shop Versa-Cab control cabinet is designed to make mounting electrical and pneumatic components easy. The front panel is aluminum bonded to plywood, which makes it simple to cut a large hole with just a saw. Large meters, gauges, indicators, and operator interface devices can be mounted easily. If a change is needed later, replacement panels can be ordered.

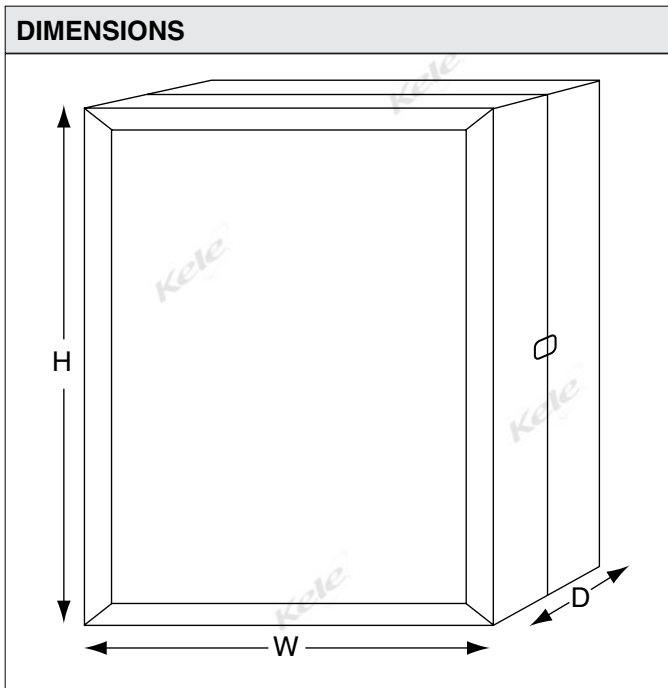
FEATURES

- Direct replacement for M8100 cabinets
- Extruded aluminum alloy frame
- Removable face and back panels
- Panels consist of aluminum bonded to both sides of plywood core
- Face panel has gray baked enamel finish
- Piano hinge on the door
- Cabinet can be mounted so door opens left or right
- Includes key-lock latch
- UL Listed Type 1 file #E218484



VERSA-CAB

DIMENSIONS



ORDERING INFORMATION

Cabinet Model No.	Dimensions	Weight Lbs. (Kg)
VC-1812	18" x 12" x 9.5"	17.0 (7.7)
VC-2418	24" x 18" x 9.5"	25 (11.3)
VC-2424	24" x 24" x 9.5"	30 (13.6)
VC-3024	30" x 24" x 9.5"	35 (15.9)
VC-3624	36" x 24" x 9.5"	40 (18.1)
VC-4230	42" x 30" x 9.5"	53 (24.0)
VC-4836	48" x 36" x 9.5"	72 (32.7)

Replacement Face Panels	Dimensions	Weight Lbs. (Kg)
VC-1812-FP	16.5" x 10.5"	2.1 (1.0)
VC-2418-FP	22.5" x 16.5"	4.2 (1.9)
VC-2424-FP	22.5" x 22.5"	5.6 (2.5)
VC-3024-FP	28.5" x 22.5"	7 (3.2)
VC-3624-FP	34.5" x 22.5"	8.4 (3.8)
VC-4230-FP	40.5" x 28.5"	12.2 (5.5)
VC-4836-FP	46.5" x 34.5"	16.8 (7.6)

Replacement Back Panels	Dimensions	Weight Lbs. (Kg)
VC-1812-BP	16.5" x 10.5"	2.1 (1.0)
VC-2418-BP	22.5" x 16.5"	4.2 (1.9)
VC-2424-BP	22.5" x 22.5"	5.6 (2.5)
VC-3024-BP	28.5" x 22.5"	7 (3.2)
VC-3624-BP	34.5" x 22.5"	8.4 (3.8)
VC-4230-BP	40.5" x 28.5"	12.2 (5.5)
VC-4836-BP	46.5" x 34.5"	16.8 (7.6)